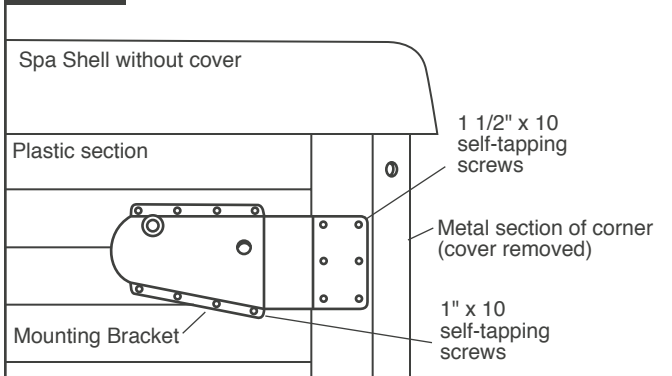


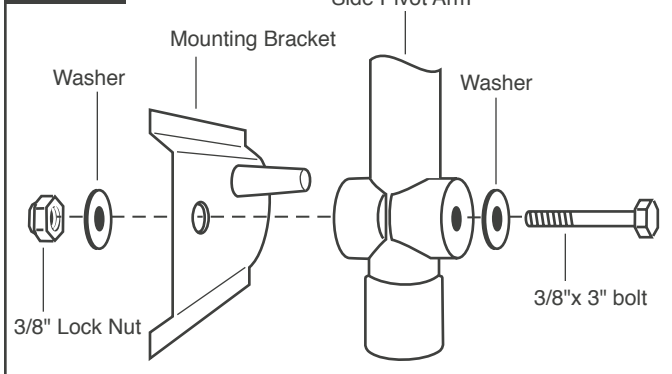
# COVERMATE I

## Installation Instructions-Master Spas

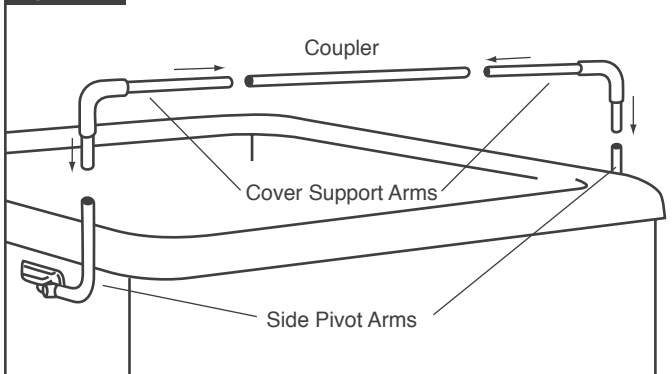
**Figure 1**



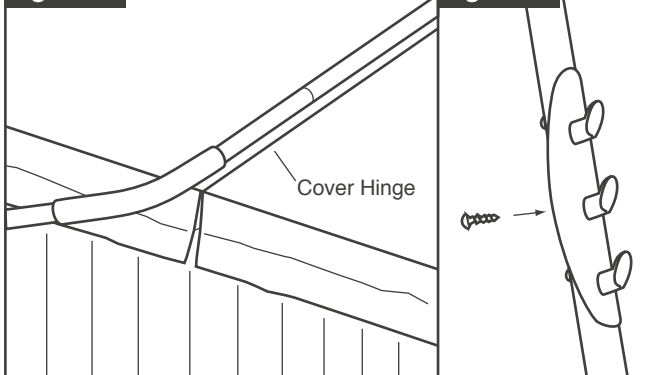
**Figure 2**



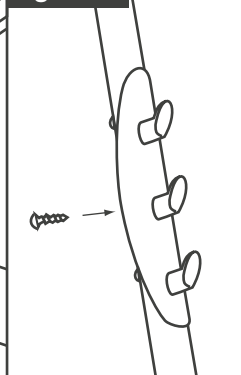
**Figure 3**



**Figure 4**



**Figure 5**



### Step #1

Position the spa cover (in closed position) on the spa, making sure that all four corners are properly positioned and square on the spa.

After determining the appropriate corners that the Coverlift Brackets will be mounted to - remove the spa skirt plastic corners by unscrewing the black thumb screws.

### Step #2

With the skirt corners removed, using the #10 X 1" screws, attach the left and right Mounting Brackets to the appropriate sides of the spa, using the 6 - 1 1/2" X 10 self tapping screws on the metal section of corner and the 8 - 1" X 10 screws on the plastic section. (See Fig.1)

**Note:** It is easier to attach the Pivot Arms to the Brackets (See Fig.2) before attaching the Brackets to the spa.

### Step #3

Insert the long end of the Support Arms into the center Coupler Piece. Then slide Support Arms into the Pivot Arms. (See Fig. 3)

### Step #4

Lay the Covermate on the spa cover. Adjust the Coupler Piece and Support Arms so that the Coupler Piece is lying parallel to the spa cover's hinge about a 1/2" away. (See Fig. 4) Using the #10 self tapping screws, fasten Support Arms to Pivot Arms and the Coupler Piece.

**Note:** Be sure to rotate the Coupler Piece so that the inserted screws are at a horizontal angle with heads facing the back of the spa.

### Step #5

Slip the black hand grips to the edge of the spa cover and snap black plastic screw head covers on.

### Step #6

Attach the provided 3 hook TowelMate on the preferred side of your Covermate, by simply snapping it into place and inserting the middle self tapping screw. (See Fig. 5)

**You are done!**

**CAUTION!**

**Do not use the Covermate in high wind conditions (greater than 10 m.p.h.). Injury from the spa cover being blown over and impacting the spa user can occur.**

# SPA COVERS



- No need to measure-it's easy to order with your spa brand!
- Drain & Dry Design keeps SpaMate covers from getting waterlogged & heavy!
- 11 beautiful colors to compliment your sense of style.
- Made from the finest materials and built to last longer than other covers.
- **5-Year Warranty, FREE Shipping!**



## SpaCoverBuyDirect

Spa Covers • Cover Lifts • Spa Accessories  
<http://www.spacoverbuydirect.com>

**Get one now!**

# SPA ACCESSORIES



Customize your spa and make it safer, more comfortable and more fun with these great hot tub accessories! Safe-T-Rails and Durasteps makes getting in and out of your spa so much easier and safer. The Spa Caddy keeps your drink, towel and cell phone within reach so you won't have to get out of your spa. Don't fry in the sun while in your tub, get a SpaUmbrella! They're beautiful, strong and can be used out of your spa as well. Check out all of these great accessories and more at <http://www.spacovercoverbuydirect.com/> and <http://www.spacoverlift.com/>

# SPA COVER LIFTS



Using your spa is supposed to be relaxing - don't ruin your experience by struggling with the cover. No matter what the size, shape or brand of your spa or hot tub, you can find the right cover lift at **SpaCoverLift.com**.

You can choose from a variety of CoverMate spa cover lifts from Leisure Concepts that are affordable and durable. Get the lowest prices on the web and **FREE SHIPPING** (within continental U.S.).

**Get yours now!**

## SpaCoverLift

<http://www.spacoverlift.com>